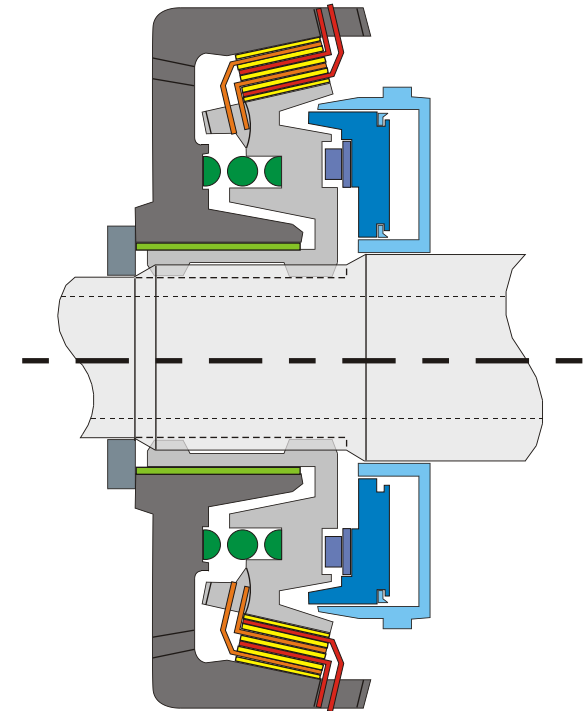
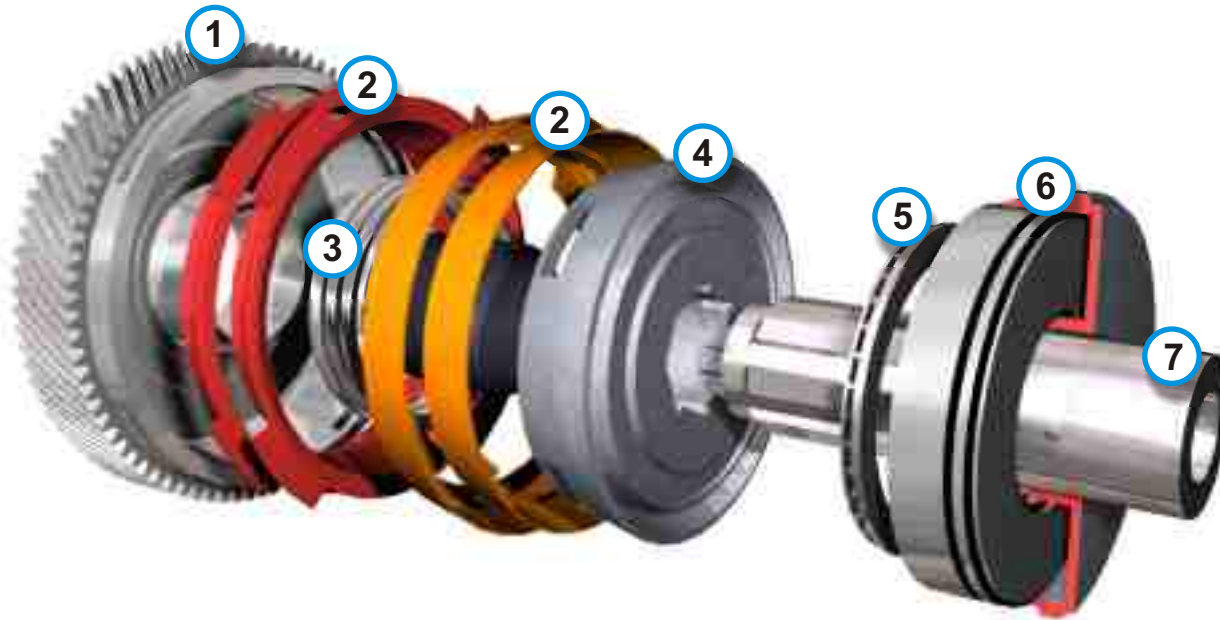




Select Design Technologies Limited

ACN: 087 910 996 ABN: 50 087 910 996



General Section

SELECTOR COMPONENTS:

- | | |
|----|-----------------------------|
| 1. | FEMALE CONE & GEAR |
| 2. | SELECTOR CONES |
| 3. | RETURN SPRING |
| 4. | MALE CONE |
| 5. | THRUST BEARING |
| 6. | HYDRAULIC ACTUATOR ASSEMBLY |
| 7. | GEARBOX SHAFT |

Patent Application No. PR 1232
Commercial in Confidence

The *Smartmatic*™
"Quad Cone Selector"