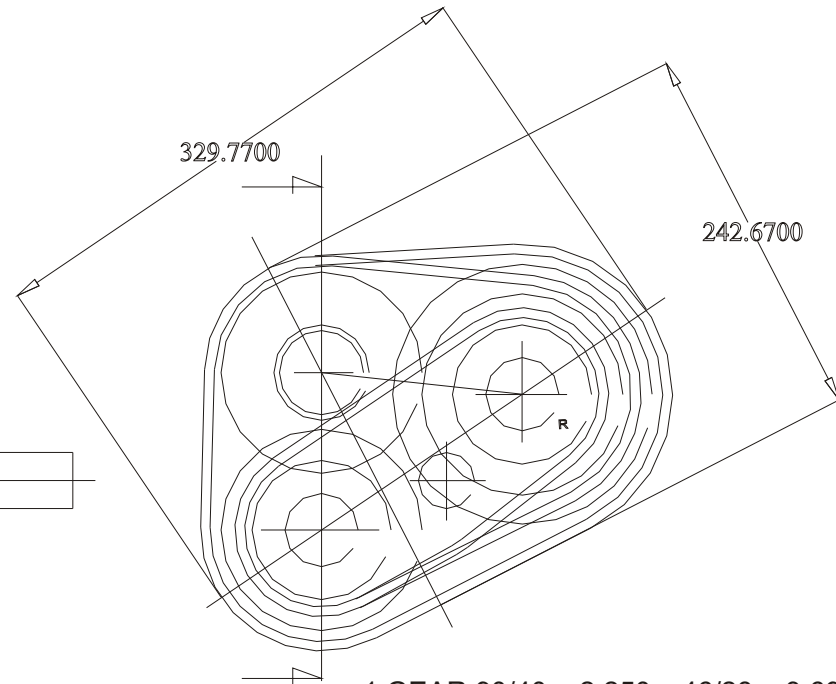
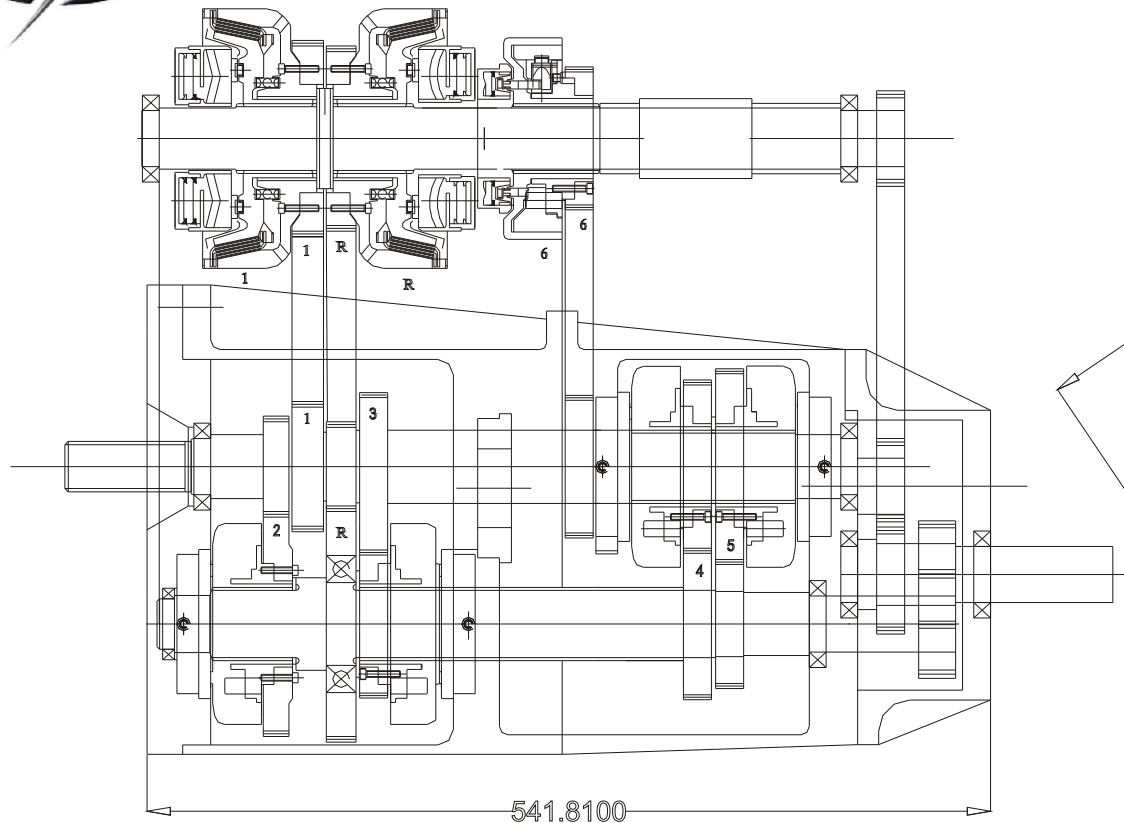


Select Design Technologies Limited

ACN: 087 910 996 ABN: 50 087 910 996



6 - SPEED AUTO TRANSMISSION C140-00
Two Cone C120 or Drum Shoe D120 as Gear
Selectors
Four Cone C140 as Launch for 1st & Reverse
Gears

1 GEAR $90/40 = 2.250 \times 46/28 = 3.696$
2 GEAR $66/34 = 1.941$
3 GEAR $51/51 = 1.000$
4 GEAR $42/60 = 0.800$
5 GEAR $40/62 = 0.645$
6 GEAR $34/68 = 0.500$
REVERSE $90/40 \times 46/28 = 3.696$

Patent Application No. PR 1232
Commercial in Confidence

The 6 Speed *Smartmatic*[™]
"Automatic-Manual" Transmission